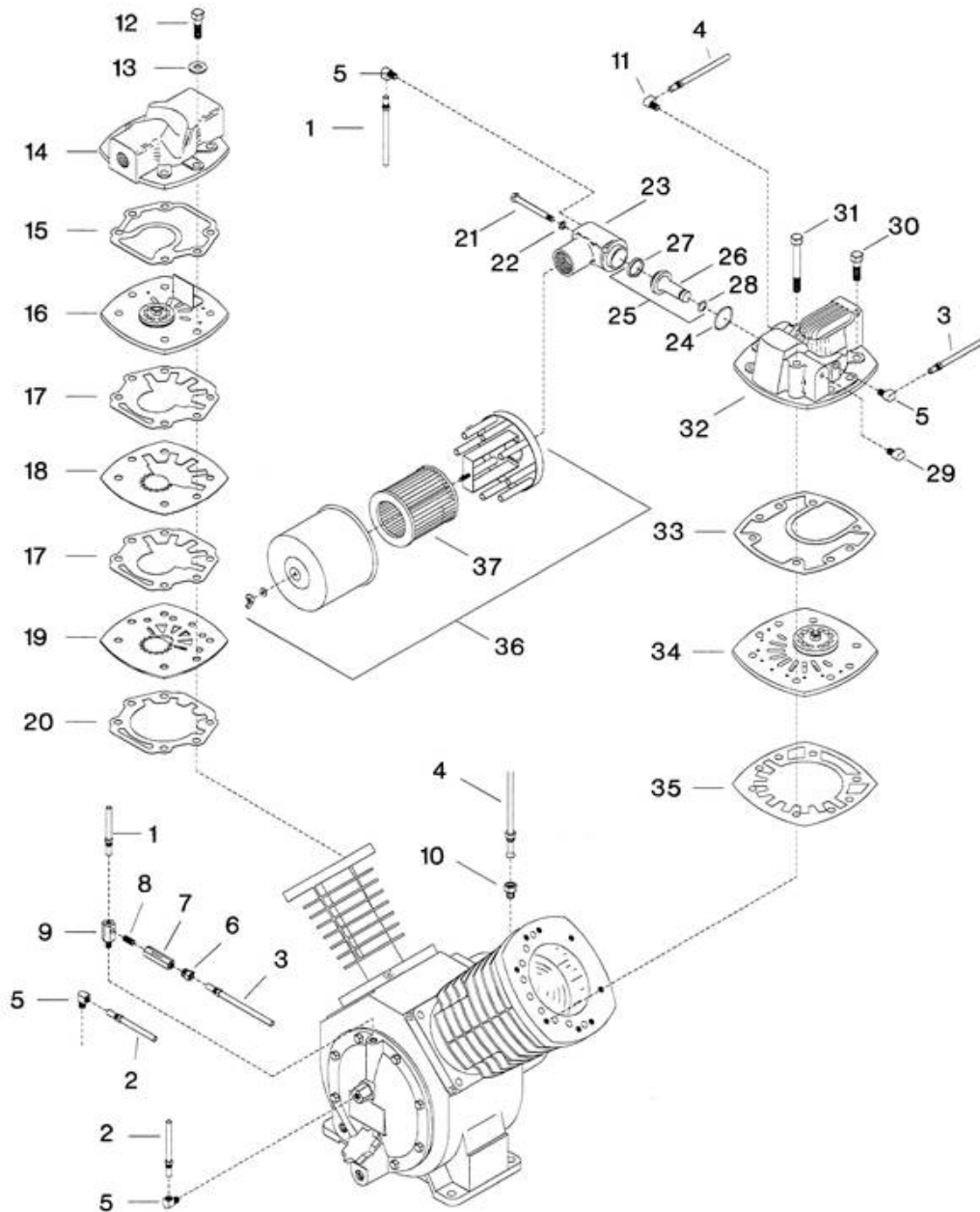


## 2. Bare Compressor - Model 7100



All manufacturer's names, numbers, photos, product description and/or part numbers are used for reference purposes only & it is not implied that any part listed is the product of these manufacturers. Since Approvement are made from time to time, the illustration and specifications are subject to change without notice.

## 2. Bare Compressor - Model 7100

REF. NO.	PART NO.	DESCRIPTION	QTY.	SPARES		
				1	2	3
2-1	32203440	ASS'Y, TUBE - FRAME END COVER/UNLOADER COVER - 5/16" DIA. (IF SUPPLIED)	1			
2-2	32183717	ASS'Y, TUBE - PILOT VALVE/2ND STAGE MANIFOLD - 5/16" DIA. (IF SUPPLIED)	1			
2-3	32200529	ASS'Y, TUBE - CHECK VALVE/RIGHT-HAND HEAD - 5/16" DIA. (IF SUPPLIED)	1			
2-4	32200560	ASS'Y, TUBE - BREATHER - 3/8" DIA.	1			
2-5	95110441	ELBOW, TUBE - 5/16 X 1/4" (IF SUPPLIED)	4			
2-6	95082483	CONNECTOR, TUBE - 5/16 X 1/8" (IF SUPPLIED)	1			
2-7	32001141	VALVE, CHECK (IF SUPPLIED)	1			
2-8	95796017	NIPPLE, CLOSE - 1/8 X 3/4" (IF SUPPLIED)	1			
2-9	32203242	CONNECTOR, TUBE - 5/16 X 1/4" MALE LONG (IF SUPPLIED)	1			
2-10	95083143	CONNECTOR, MALE - 3/8 X 1/4"	1			
2-11	95040143	ELBOW, TUBE - 3/8 X 1/4"	1			
2-12	95104196	CAPSCREW - HEX 1/2-13 X 2"	6			
2-13	32060006	WASHER, FLAT - 1/2"	6			
2-14	32172199	HEAD, SECOND STAGE - HIGH PRESSURE	1			
2-15	32252801	GASKET, HEAD - SECOND STAGE	1	1	1	2
2-16	32228322	ASS'Y, VALVE PLATE - SECOND STAGE (SEE FIG. 3, PAGE 8)	1		1	2
2-17	32252819	GASKET, SPACER PLATE - SECOND STAGE	2	2	2	4
2-18	32228280	PLATE, SPACER - SECOND STAGE	1			
2-19	32228272	PLATE, DISC - SECOND STAGE	1			
2-20	32252827	GASKET, VALVE PLATE - SECOND STAGE	1	1	1	2
2-21	95035259	CAPSCREW - HEX 5/16-18 X 3-3/4"	2			
2-22	95043188	LOCKWASHER, SPRING - 5/16"	2			
2-23	32174336	COVER, UNLOADER	1			
2-24	95026183	O-RING	1	1	1	2
2-25	32256257	ASS'Y, UNLOADER PISTON (IF SUPPLIED)	1			
2-26	NSS	• PISTON, UNLOADER	1	1	1	2
2-27	32254740	• SEAL, UNLOADER PISTON	1	2	2	4
2-28	32188385	• O-RING, UNLOADER PISTON	1	2	2	4
2-29	32256356	ELBOW, ORIFICE - UNLOADER (IF SUPPLIED)	1			
2-30	95104188	CAPSCREW - HEX 1/2-13 X 1-3/4"	7			
2-31	95104279	CAPSCREW - HEX 1/2-13 X 4-1/4"	1			
2-32	32172207	HEAD, FIRST STAGE - LOW PRESSURE	1			
2-33	32172926	GASKET, HEAD - FIRST STAGE	1	1	1	2
2-34	32228330	ASS'Y, VALVE PLATE - FIRST STAGE (SEE FIG. 4, PAGE 9)	1		1	2
2-35	32172942	GASKET, VALVE PLATE - FIRST STAGE	1	1	1	2
2-36	32109779	FILTER, INLET - COMPLETE	1			
2-37	32012957	• ELEMENT, FILTER - 10 MICRON	1	2	2	2

All manufacturer's names, numbers, photos, product description and/or part numbers are used for reference purposes only & it is not implied that any part listed is the product of these manufacturers. Since Approvement are made from time to time, the illustration and specifications are subject to change without notice.